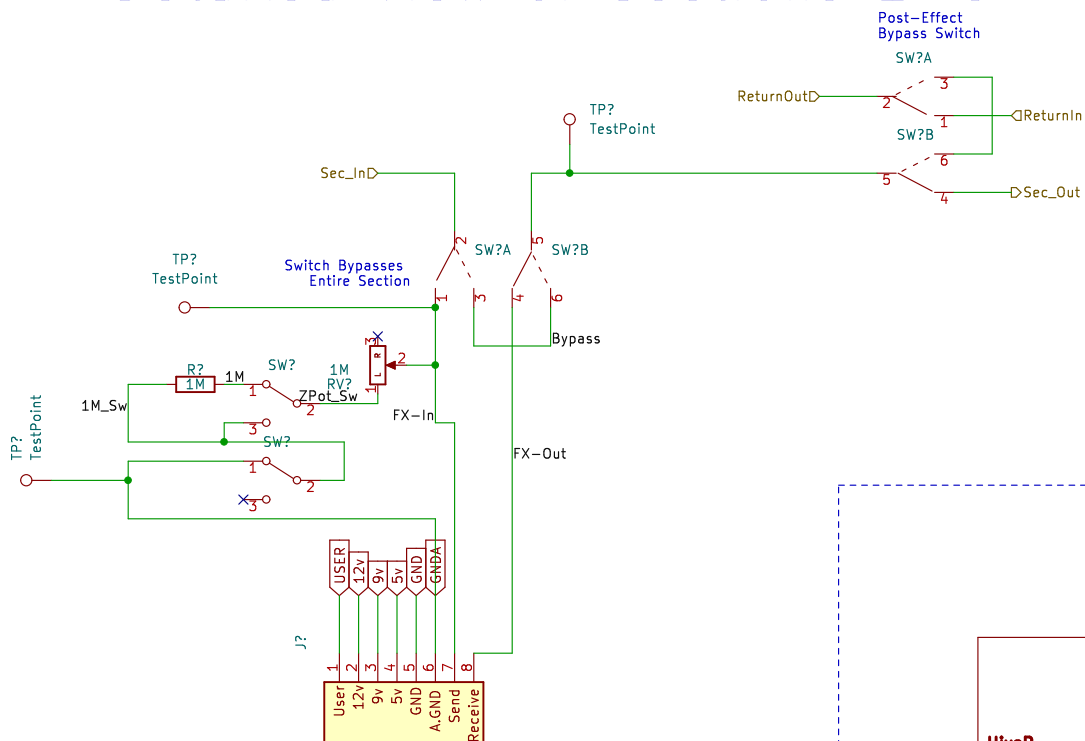


## Detailed View of Sections 1–8



**HiveR**

Sheet: /  
File: Swarmer User Schematic.kicad\_sch

**Title: Swarmer User Schematic**

Size: A Date: 2022-11-19  
KiCad E.D.A. eeschema (6.0.2)

**Rev:**  
Id: 1/9