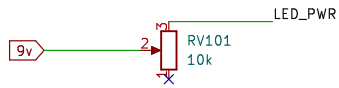
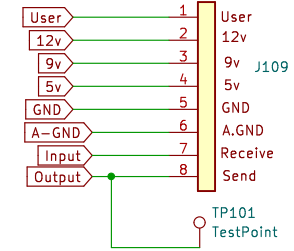


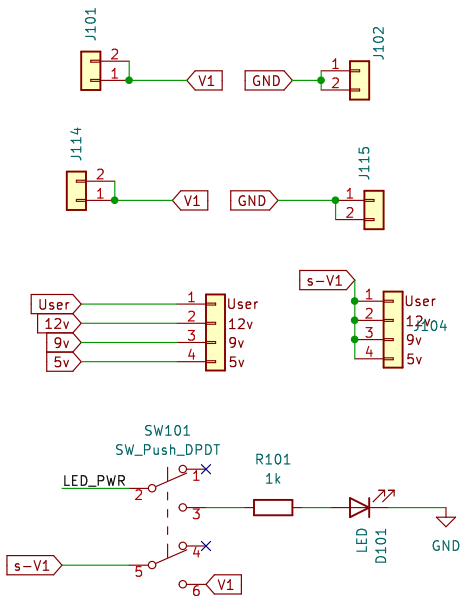
LED Dimmer



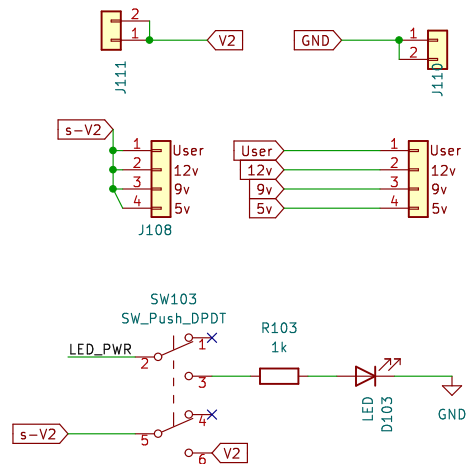
Interface Connector



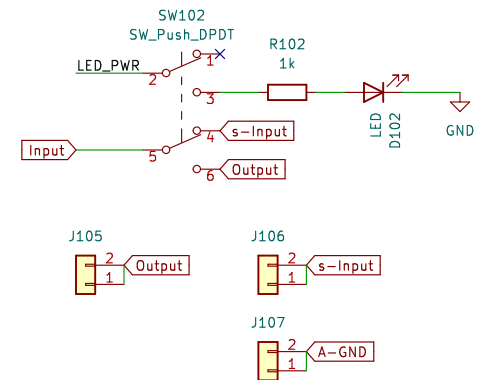
V1 Power Rail Connection



V2 Power Rail Section



Audio Section



The V1 has two sets of power connection pins to accommodate the two types of breadboard connections available.

Sheet: /
File: Honey Loaf User Schematic.kicad_sch

Title: Breadboard Interface

Size: USLetter Date: 2022-04-19
KiCad E.D.A. eeschema (6.0.2)

Rev:
Id: 1/1